

**Back** ○ Flat Cable Connectors SEK

○ *har-mik®*

○ D-Sub

○ InduCom

---

● **Applications**

---

## Product details

---

**09 67 509 6715**

**D-Sub IP 67 PCB connector**

Gender	Female connector, straight
Protection level	IP 67
Termination	turned solder cups
Number of contacts	9
Shell	tinned metal shell
Flange	Rear blind nut UNC 4-40
Performance level	S4 (0,76 •m Au min)
Insulation material	Thermoplastic, glass-fibre filled, UL 94-V0
Mounting frame	rear plastic mounting plate
Frame material	Thermoplastic, glass-fibre filled, UL 94-V0
Sealing ring	Silicone, glued on frame
RoHS compliant	Yes

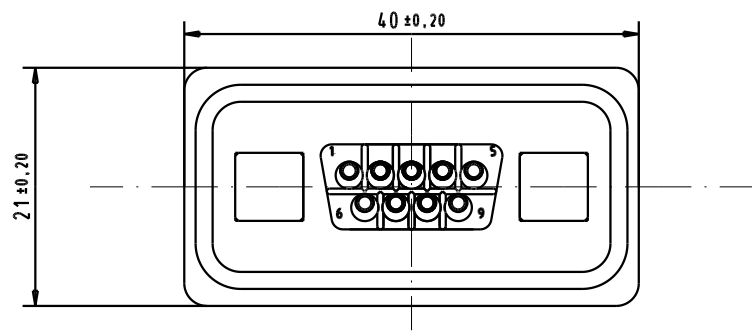
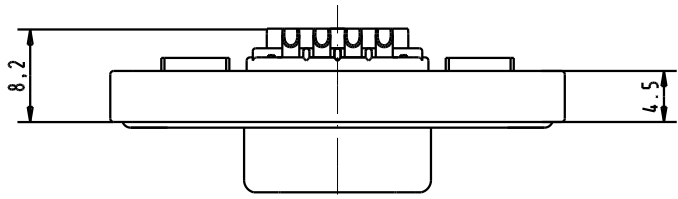
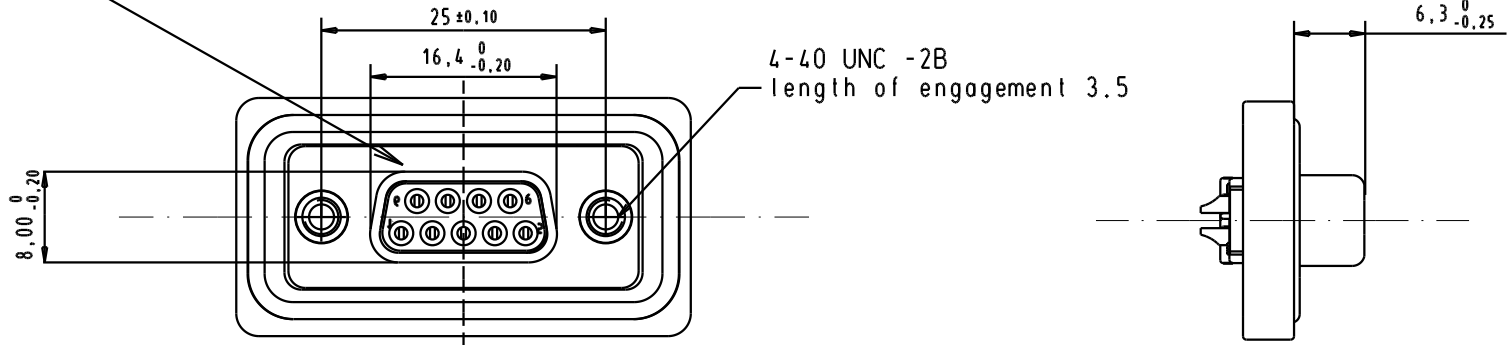
**Inquiry**

### Available Downloads

Title	Format	
Data sheet	PDF	<a href="#">download</a>

5 4 3 2 1

Mating face according to : MIL-C-24308 / DIN 41652 / CECC 75.01-802



- 1) Protection standard IP 67 according to IEC 529 / DIN 40050.
- 2) cable: AWG 20 max



D

C

B

A

09 67 509 6715	Au plating 0,76 µm mini
Part Number	Performance Level

			Dat.	Name	 All Dim. in mm Orig. Size DIN A 4	
			Detail.	03/02/04		S.H.
			Insp.			
			Stand.			
31587	03/02/04	S.H.	HARTING ELEKTRONIK			
Mod.	Dat.	Name	F-95972 Paris			

D-SUB IP67 female 09 Poles straight solder cup with 4-40 UNC nut with plastic frame		Moßstab/ Scale
TB 09 67 509 6715		Blatt/ Page
Sub.		